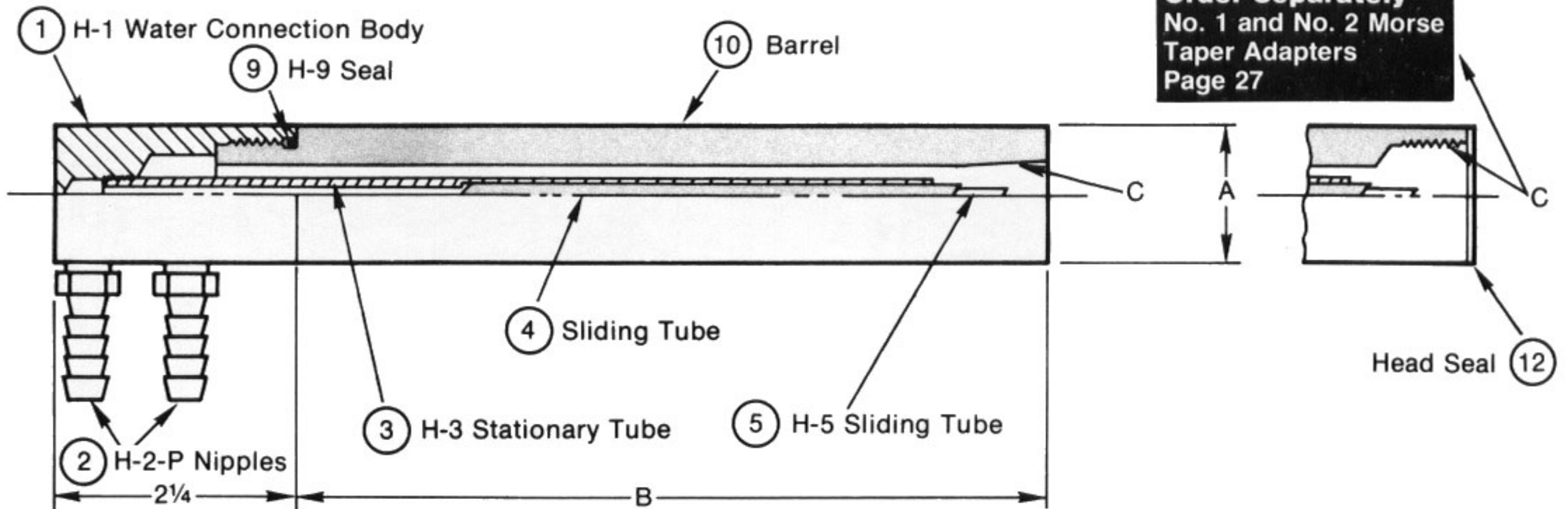


**Note:**  
Order Separately  
No. 1 and No. 2 Morse  
Taper Adapters  
Page 27



A DIA.	B LENGTH	C TAPER OR THREAD	HOLDER ASSY. No.	WATER CONNEC-TION ASSY. No. INCLUDES PARTS ① ② ③ ④	SLIDING TUBE ④	SLIDING TUBE ⑤	HEAD SEAL ⑫	BARREL WITH SEALS ⑨ ⑩ ⑫
1	8	1	H-408-1	WC-8	H-4-8	H-5		H1-408
		2	H-408-2			H2-408		
		7/8-14	H-408-T			H-5		H-12-4
	12	1	H-412-1	WC-12	H-4-12	H-5		H1-412
		2	H-412-2			H2-412		
		7/8-14	H-412-T			H-5		H-12-4
1 1/4	8	1	H-508-1	WC-8	H-4-8	H-5		H1-508
		2	H-508-2			H2-508		
		3	H-508-3			H3-508		
		1-14	H-508-T			H-5		H-12-5
	12	1	H-512-1	WC-12	H-4-12	H-5		H1-512
		2	H-512-2			H2-512		
		3	H-512-3			H3-512		
		1-14	H-512-T			H-5		H-12-5
1 1/2	8	2	H-608-2	WC-8	H-4-8			H2-608
		3	H-608-3					H3-608
		1-14	H-608-T					H-5
	12	2	H-612-2	WC-12	H-4-12			H2-612
		3	H-612-3					H3-612
		1-14	H-612-T					H-5