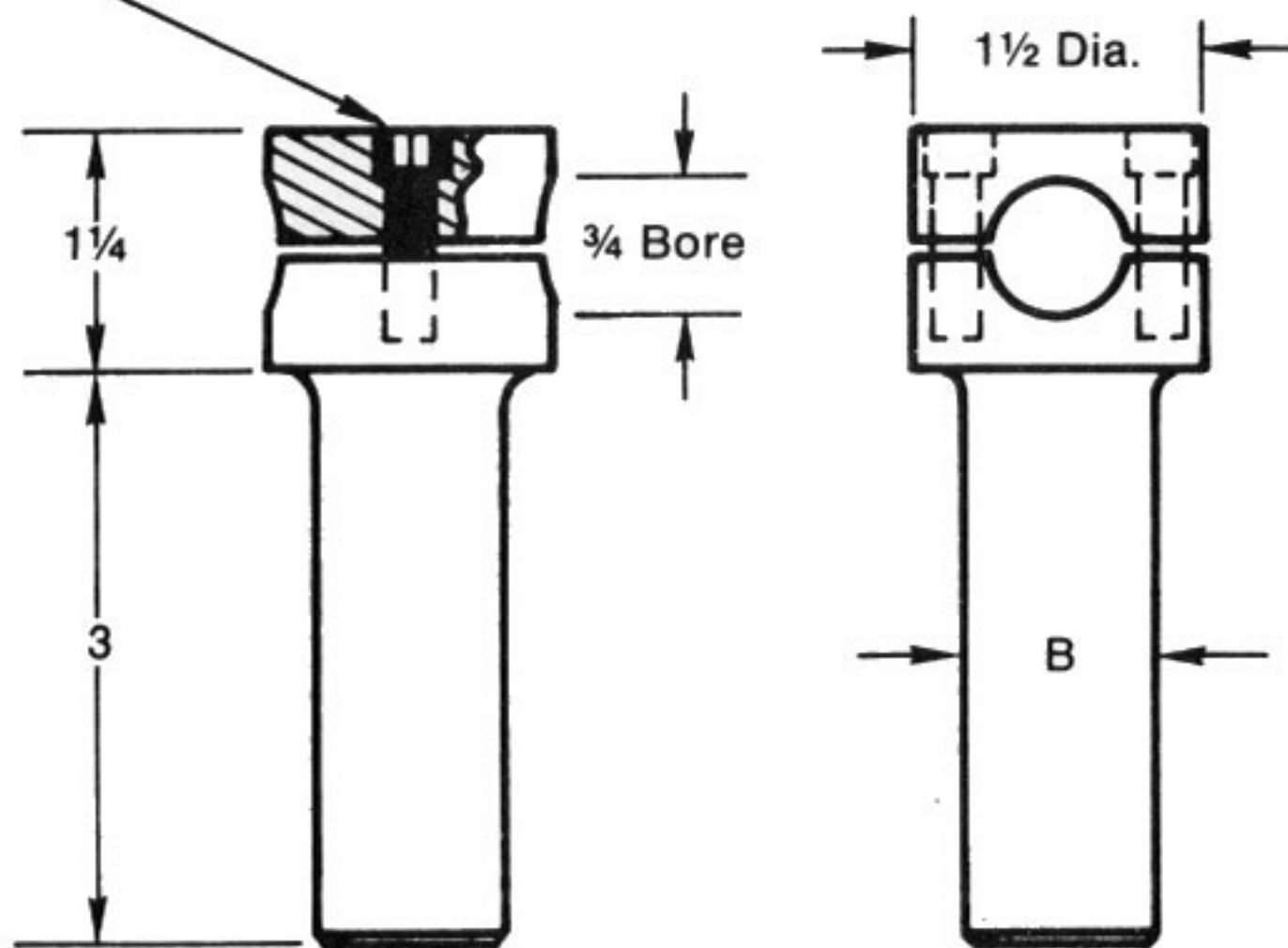


### LIGHT DUTY

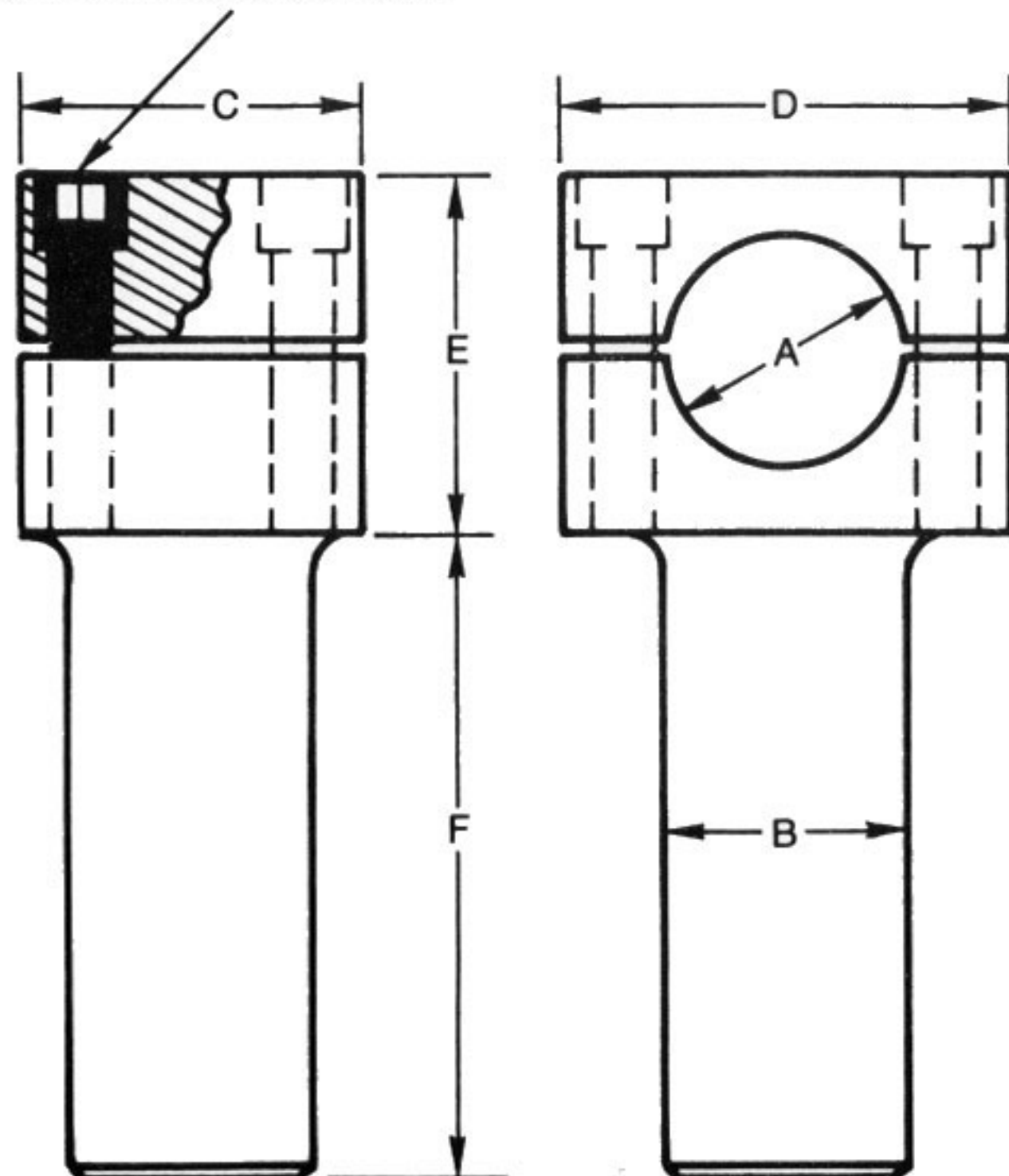
Two Stainless Steel Bolts



PART No.	B DIA.
T-33	3/4
T-34	1
T-35	1 1/4

### REGULAR AND HEAVY DUTY

Four Stainless Steel Bolts



PART No.	A HOLE DIA.	B SHANK DIA.	C	D	E	F
T-44	1	1	1 3/4	2 1/2	1 3/4	3 1/4
T-45	1	1 1/4				
T-46	1	1 1/2				
T-54	1 1/4	1	1 3/4	2 1/2	1 3/4	3 1/4
T-55	1 1/4	1 1/4				
T-56	1 1/4	1 1/2				
T-65	1 1/2	1 1/4	1 3/4	2 1/2	1 3/4	3 1/4
T-66	1 1/2	1 1/2				