

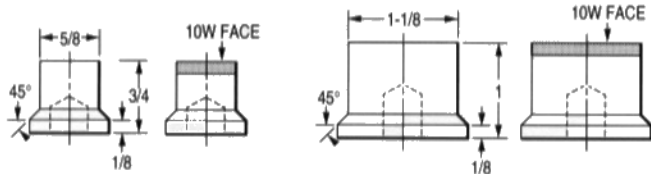
Tuffaloy high pressure welding

HIGH PRESSURE TIPS

Spot and projection welding operations utilize pressures over 2000 lbs. TUFFALOY high-pressure tips have flat bottoms. Elimination of the usual tapered-sockets and tip-jamming. Assembled tip and holder heights are always the same, as contrasted to tapered tips which can be forced into the sockets varying distances.

TUFFALOY high pressure tips can be used in the two holder styles shown: PM holders for mounting on the platens of press-type welders, and straight holders for spot welder arm mounting. The tips are held to the holders by a threaded coupling. Copper tungsten faced tips are available for high pressure wear and projection welding.

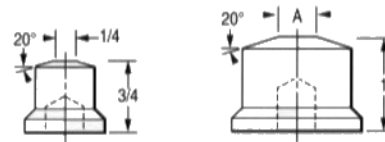
FLAT FACED



Size 1 PMC-2503
Item No. 180-2203
Item No. 180-2203-10W

Size 2 PMC-2104
Item No. 180-1040
Item No. 180-2104-10W

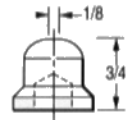
TRUNCATED CONE



Size 1 PME-2503
Item No. 180-2303

'A'	Description	Item No.
1/4	PME-21041	180-1041
5/16	PME-21042	180-1042
3/8	PME-21043	180-1043
7/16	PME-21044	180-1044
1/2	PME-21045	180-1045

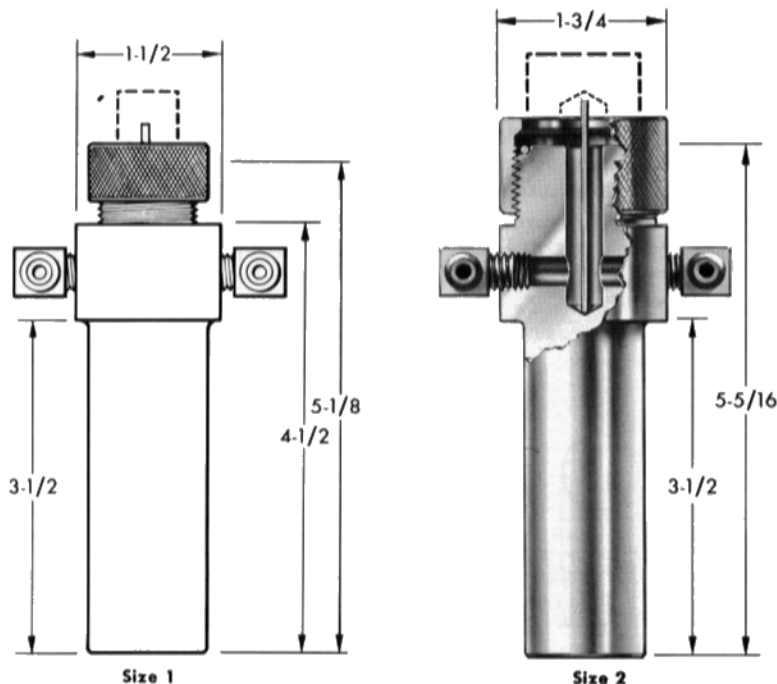
DOME NOSED



Size 1 PMB-2503
Item No. 180-2103

STRAIGHT HOLDERS CLASS 2 ALLOY

Straight holders are made for carrying TUFFALOY high pressure tips in rocker arm welders or press-type welder horn extensions. They are made in two basic sizes, to accommodate the Size 1 and 2 tips. They are of Class 2 alloy and hold the tips in the same manner as do the PM holders.



Size	Barrel Dia.	Description	Item No.
1	1	4511	350-4511
1	1-1/4	4512	350-4512
1	1-1/2	4513	350-4513
2	1-1/4	4521	350-4521
2	1-1/2	4522	350-4522